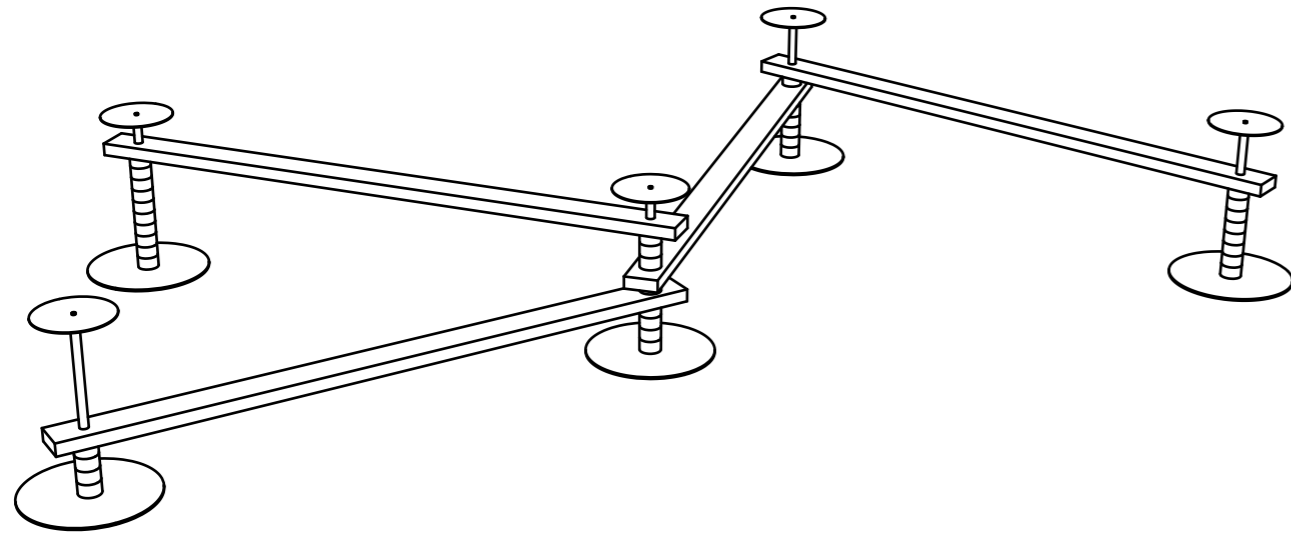
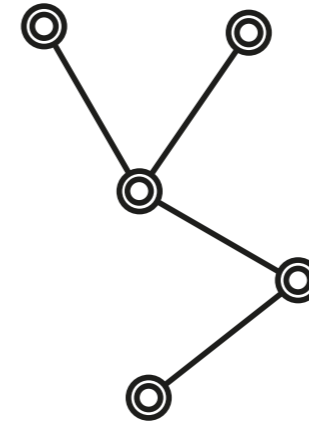


Beam Bench

Laure Wasser
Alexandre Desarzens
Frank Frick

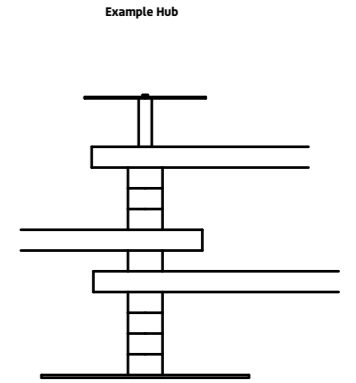
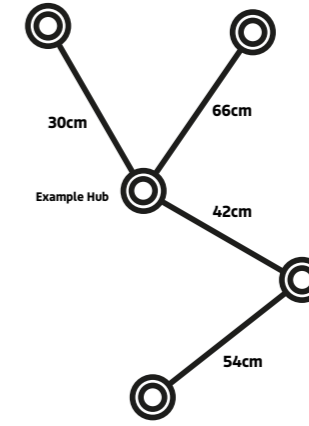


1 Design shape

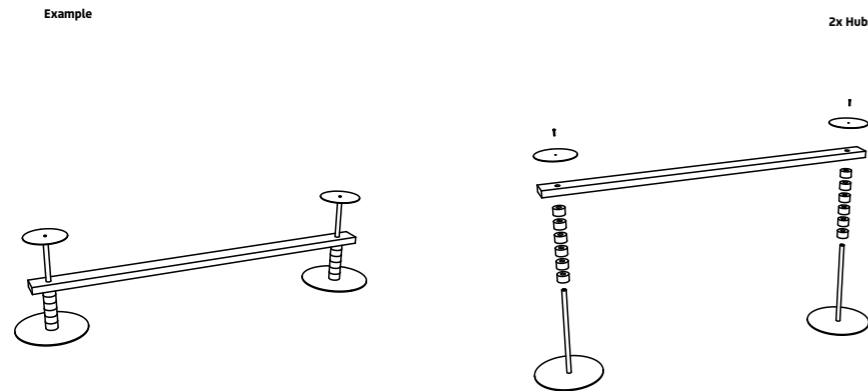


2 Define Bench Heights

Benches that meet at a hub need to be at different heights



3 Count Elements

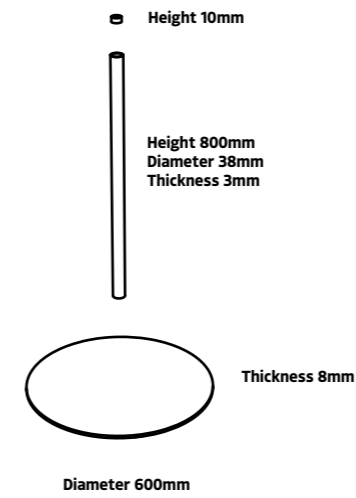


- M8 Screws (= hubs)
- Tabletops (= hubs)
- 1x Beams
- 12x Spacers
- Bases (= hubs)

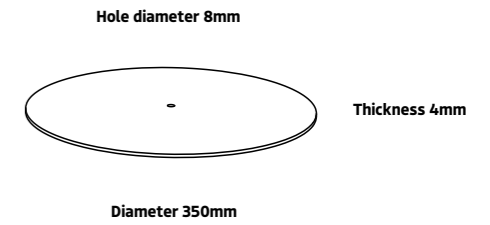
4 Cut

- Steel Tubes
- Steel Plates
- Threaded Inserts

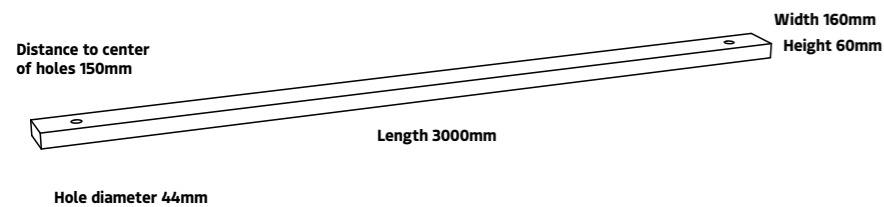
5 Weld together



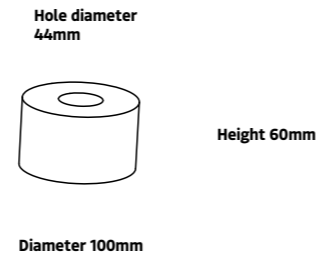
6 Cut and drill tabletops



7 Cut beams to length and drill holes



8 Cut round spacers from beam and drill holes



9 Arrange hubs, slide on spacers and benches

10 Screw tabletops to bases

